

Preisliste
DESIGNERROLLOS

HIDDEN ROLLER BLIND

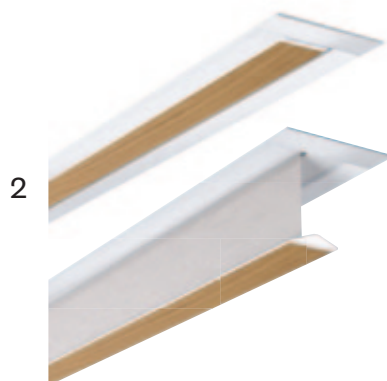
V120 T - Motor ELERO with remote control and fabrics combination



1

V120 / 25: ANODIZED ALUMINIUM STEEL COLOR
V120 / 312: IVORY WHITE

L cm		120						140					
h cm	€	A	B	C	D	E	F	A	B	C	D	E	F
120		1.415	1.435	1.470	1.506	1.568	1.587	1.469	1.489	1.525	1.562	1.625	1.644
140		1.428	1.449	1.489	1.531	1.602	1.625	1.482	1.503	1.544	1.587	1.660	1.684
160		1.440	1.463	1.511	1.555	1.636	1.663	1.495	1.517	1.567	1.611	1.695	1.723
180		1.453	1.476	1.527	1.579	1.670	1.702	1.508	1.531	1.583	1.636	1.730	1.762
200		1.466	1.490	1.546	1.603	1.705	1.740	1.521	1.545	1.603	1.661	1.765	1.802
220		1.478	1.504	1.565	1.627	1.739	1.778	1.534	1.560	1.622	1.686	1.800	1.841
240		1.491	1.518	1.584	1.651	1.773	1.817	1.547	1.574	1.642	1.710	1.835	1.880
260		1.504	1.531	1.603	1.675	1.807	1.855	1.560	1.588	1.661	1.735	1.870	1.920
280		1.516	1.545	1.622	1.699	1.841	1.893	1.573	1.602	1.680	1.760	1.905	1.959
300		1.529	1.559	1.641	1.724	1.876	1.932	1.586	1.616	1.700	1.785	1.941	1.998



2

V120 / 25B: ANODIZED ALUMINIUM STEEL COLOR/OAKWOOD
V120 / 25T: ANODIZED ALUMINIUM STEEL COLOR/TEAK
V120 / 25W: ANODIZED ALUMINIUM STEEL COLOR/WENGÉ

L cm		220						240					
h cm	€	A	B	C	D	E	F	A	B	C	D	E	F
120		1.772	1.796	1.831	1.880	1.941	1.962	1.843	1.867	1.903	1.952	2.016	2.037
140		1.787	1.812	1.853	1.908	1.980	2.006	1.858	1.883	1.925	1.981	2.055	2.082
160		1.802	1.828	1.878	1.936	2.018	2.049	1.874	1.900	1.951	2.010	2.094	2.126
180		1.817	1.844	1.895	1.965	2.057	2.092	1.889	1.917	1.969	2.039	2.134	2.170
200		1.832	1.861	1.917	1.993	2.096	2.135	1.904	1.933	1.991	2.068	2.173	2.214
220		1.847	1.877	1.938	2.022	2.134	2.178	1.919	1.950	2.012	2.098	2.213	2.258
240		1.862	1.893	1.959	2.050	2.173	2.222	1.935	1.966	2.034	2.127	2.252	2.302
260		1.877	1.909	1.981	2.078	2.211	2.265	1.950	1.983	2.056	2.156	2.292	2.347
280		1.892	1.925	2.002	2.107	2.250	2.308	1.965	1.999	2.078	2.185	2.331	2.391
300		1.907	1.942	2.023	2.135	2.288	2.351	1.980	2.016	2.100	2.214	2.370	2.435

V120 D - Motor ELERO for home automation and fabrics combination



3

V120 / 312 25: IVORY WHITE /ANODIZED ALUMINIUM STEEL COLOR

L cm		120						140					
h cm	€	A	B	C	D	E	F	A	B	C	D	E	F
120		1.220	1.241	1.276	1.312	1.373	1.392	1.266	1.286	1.322	1.359	1.422	1.441
140		1.233	1.254	1.295	1.336	1.407	1.431	1.279	1.300	1.341	1.384	1.457	1.481
160		1.246	1.268	1.317	1.360	1.442	1.469	1.292	1.314	1.364	1.408	1.492	1.520
180		1.259	1.282	1.333	1.384	1.476	1.507	1.305	1.328	1.380	1.433	1.527	1.559
200		1.271	1.296	1.352	1.409	1.510	1.546	1.318	1.342	1.400	1.458	1.562	1.599
220		1.284	1.310	1.371	1.433	1.544	1.584	1.331	1.357	1.419	1.483	1.597	1.638
240		1.297	1.323	1.390	1.457	1.579	1.622	1.344	1.371	1.439	1.507	1.632	1.677
260		1.309	1.337	1.409	1.481	1.613	1.661	1.357	1.385	1.458	1.532	1.667	1.717
280		1.322	1.351	1.427	1.505	1.647	1.699	1.370	1.399	1.477	1.557	1.702	1.756
300		1.335	1.365	1.446	1.529	1.681	1.737	1.383	1.413	1.497	1.582	1.738	1.795



4

V120 / 312B: IVORY WHITE/OAKWOOD
V120 / 312T: IVORY WHITE/TEAK
V120 / 312W: IVORY WHITE/WENGÉ

L cm		220						240					
h cm	€	A	B	C	D	E	F	A	B	C	D	E	F
120		1.567	1.590	1.626	1.674	1.736	1.757	1.636	1.659	1.696	1.745	1.808	1.830
140		1.582	1.607	1.648	1.703	1.775	1.800	1.651	1.676	1.718	1.774	1.848	1.874
160		1.597	1.623	1.672	1.731	1.813	1.844	1.666	1.693	1.743	1.803	1.887	1.918
180		1.612	1.639	1.690	1.760	1.852	1.887	1.682	1.709	1.761	1.832	1.927	1.963
200		1.627	1.655	1.712	1.788	1.890	1.930	1.697	1.726	1.783	1.861	1.966	2.007
220		1.642	1.672	1.733	1.816	1.929	1.973	1.712	1.742	1.805	1.890	2.005	2.051
240		1.657	1.688	1.754	1.845	1.967	2.016	1.727	1.759	1.827	1.919	2.045	2.095
260		1.671	1.704	1.776	1.873	2.006	2.060	1.743	1.776	1.849	1.948	2.084	2.139
280		1.686	1.720	1.797	1.902	2.045	2.103	1.758	1.792	1.871	1.977	2.124	2.183
300		1.701	1.736	1.818	1.930	2.083	2.146	1.773	1.809	1.892	2.006	2.163	2.228

160						180						200						L cm € h cm
A	B	C	D	E	F	A	B	C	D	E	F	A	B	C	D	E	F	
1.526	1.547	1.582	1.623	1.684	1.704	1.635	1.658	1.694	1.737	1.799	1.819	1.702	1.726	1.762	1.807	1.869	1.890	120
1.540	1.562	1.602	1.649	1.720	1.744	1.649	1.673	1.714	1.763	1.836	1.860	1.717	1.741	1.782	1.835	1.907	1.932	140
1.554	1.577	1.625	1.675	1.756	1.785	1.662	1.688	1.738	1.790	1.873	1.902	1.731	1.757	1.807	1.862	1.945	1.974	160
1.567	1.592	1.642	1.701	1.792	1.825	1.676	1.703	1.755	1.817	1.910	1.943	1.746	1.773	1.824	1.890	1.982	2.016	180
1.581	1.606	1.661	1.727	1.828	1.865	1.690	1.718	1.775	1.843	1.946	1.984	1.760	1.788	1.845	1.917	2.020	2.059	200
1.595	1.621	1.681	1.753	1.864	1.906	1.704	1.733	1.796	1.870	1.983	2.025	1.775	1.804	1.866	1.945	2.058	2.101	220
1.608	1.636	1.701	1.779	1.900	1.946	1.718	1.749	1.816	1.896	2.020	2.067	1.789	1.820	1.887	1.972	2.095	2.143	240
1.622	1.651	1.721	1.805	1.936	1.986	1.732	1.764	1.837	1.923	2.057	2.108	1.803	1.835	1.908	2.000	2.133	2.185	260
1.636	1.666	1.741	1.831	1.972	2.026	1.746	1.779	1.857	1.949	2.094	2.149	1.818	1.851	1.928	2.027	2.171	2.228	280
1.649	1.681	1.761	1.857	2.008	2.067	1.760	1.794	1.877	1.976	2.131	2.190	1.832	1.867	1.949	2.055	2.208	2.270	300

260						280						300						L cm € h cm
1.912	1.936	1.973	2.023	2.088	2.110	1.981	2.005	2.045	2.094	2.164	2.188	2.054	2.078	2.116	2.170	2.237	2.267	
1.928	1.953	1.996	2.053	2.128	2.155	1.997	2.022	2.068	2.125	2.206	2.235	2.070	2.096	2.140	2.202	2.279	2.315	140
1.943	1.970	2.022	2.082	2.168	2.201	2.013	2.040	2.095	2.155	2.248	2.282	2.087	2.114	2.167	2.233	2.322	2.364	160
1.959	1.987	2.040	2.112	2.209	2.246	2.029	2.057	2.115	2.186	2.290	2.329	2.104	2.132	2.187	2.264	2.364	2.412	180
1.974	2.004	2.062	2.142	2.249	2.291	2.045	2.075	2.138	2.217	2.332	2.376	2.120	2.150	2.210	2.296	2.407	2.461	200
1.990	2.021	2.085	2.171	2.289	2.336	2.061	2.092	2.161	2.247	2.374	2.423	2.137	2.168	2.234	2.327	2.449	2.509	220
2.005	2.037	2.107	2.201	2.330	2.381	2.077	2.110	2.184	2.278	2.416	2.470	2.153	2.186	2.258	2.359	2.492	2.558	240
2.021	2.054	2.129	2.230	2.370	2.426	2.093	2.127	2.208	2.308	2.458	2.517	2.170	2.204	2.281	2.390	2.534	2.606	260
2.037	2.071	2.152	2.260	2.410	2.471	2.109	2.144	2.231	2.339	2.500	2.564	2.186	2.222	2.305	2.422	2.577	2.655	280
2.052	2.088	2.174	2.290	2.450	2.517	2.125	2.162	2.254	2.369	2.542	2.612	2.203	2.240	2.328	2.453	2.619	2.704	300

160						180						200						L cm € h cm
A	B	C	D	E	F	A	B	C	D	E	F	A	B	C	D	E	F	
1.319	1.340	1.375	1.416	1.477	1.497	1.427	1.450	1.486	1.529	1.592	1.612	1.495	1.518	1.554	1.600	1.662	1.682	120
1.333	1.355	1.394	1.442	1.513	1.537	1.441	1.465	1.507	1.556	1.629	1.653	1.509	1.534	1.575	1.627	1.699	1.725	140
1.346	1.369	1.418	1.468	1.548	1.577	1.455	1.481	1.531	1.583	1.665	1.694	1.524	1.550	1.599	1.655	1.737	1.767	160
1.360	1.384	1.434	1.494	1.584	1.618	1.469	1.496	1.548	1.609	1.702	1.735	1.538	1.565	1.617	1.682	1.775	1.809	180
1.374	1.399	1.454	1.520	1.620	1.658	1.483	1.511	1.568	1.636	1.739	1.777	1.553	1.581	1.638	1.710	1.813	1.851	200
1.387	1.414	1.474	1.546	1.656	1.698	1.497	1.526	1.588	1.662	1.776	1.818	1.567	1.597	1.658	1.737	1.850	1.893	220
1.401	1.429	1.494	1.572	1.692	1.739	1.511	1.541	1.609	1.689	1.813	1.859	1.582	1.612	1.679	1.765	1.888	1.936	240
1.415	1.444	1.514	1.598	1.728	1.779	1.525	1.556	1.629	1.716	1.850	1.901	1.596	1.628	1.700	1.792	1.926	1.978	260
1.428	1.458	1.534	1.624	1.764	1.819	1.539	1.572	1.650	1.742	1.886	1.942	1.611	1.644	1.721	1.820	1.963	2.020	280
1.442	1.473	1.554	1.650	1.800	1.859	1.553	1.587	1.670	1.769	1.923	1.983	1.625	1.659	1.742	1.847	2.001	2.062	300

260						280						300						L cm € h cm
1.705	1.729	1.766	1.816	1.880	1.903	1.773	1.798	1.837	1.887	1.957	1.980	1.847	1.871	1.909	1.963	2.030	2.059	
1.720	1.745	1.788	1.845	1.921	1.948	1.789	1.815	1.861	1.918	1.999	2.027	1.863	1.889	1.933	1.994	2.072	2.108	140
1.736	1.762	1.814	1.875	1.961	1.993	1.806	1.832	1.888	1.948	2.041	2.075	1.880	1.907	1.960	2.026	2.114	2.156	160
1.751	1.779	1.833	1.905	2.001	2.038	1.822	1.850	1.907	1.979	2.083	2.122	1.896	1.925	1.980	2.057	2.157	2.205	180
1.767	1.796	1.855	1.934	2.042	2.083	1.838	1.867	1.931	2.009	2.125	2.169	1.913	1.943	2.003	2.089	2.199	2.253	200
1.783	1.813	1.877	1.964	2.082	2.129	1.854	1.885	1.954	2.040	2.167	2.216	1.929	1.961	2.027	2.120	2.242	2.302	220
1.798	1.830	1.900	1.993	2.122	2.174	1.870	1.902	1.977	2.070	2.209	2.263	1.946	1.979	2.050	2.152	2.284	2.351	240
1.814	1.847	1.922	2.023	2.162	2.219	1.886	1.920	2.000	2.101	2.251	2.310	1.962	1.997	2.074	2.183	2.327	2.399	260
1.829	1.864	1.944	2.053	2.203	2.264	1.902	1.937	2.024	2.131	2.293	2.357	1.979	2.015	2.097	2.214	2.369	2.448	280
1.845	1.881	1.967	2.082	2.243	2.309	1.918	1.955	2.047	2.162	2.335	2.404	1.995	2.033	2.121	2.246	2.412	2.496	300

WALL OR CEILING MOUNTING ROLLER BLIND

V11TP - (wall) Motor ELERO with remote control and fabrics combination

5



V11 / 25: ANODIZED ALUMINIUM STEEL COLOR

L cm		120						140					
h cm	€	A	B	C	D	E	F	A	B	C	D	E	F
120		2.106	2.126	2.161	2.198	2.259	2.278	2.173	2.193	2.229	2.266	2.329	2.348
140		2.119	2.140	2.180	2.222	2.293	2.316	2.186	2.207	2.249	2.291	2.364	2.388
160		2.131	2.154	2.203	2.246	2.327	2.355	2.199	2.221	2.271	2.316	2.399	2.427
180		2.144	2.168	2.218	2.270	2.362	2.393	2.212	2.235	2.287	2.340	2.434	2.466
200		2.157	2.181	2.237	2.294	2.396	2.431	2.225	2.250	2.307	2.365	2.469	2.506
220		2.170	2.195	2.256	2.318	2.430	2.470	2.238	2.264	2.326	2.390	2.504	2.545
240		2.182	2.209	2.275	2.342	2.464	2.508	2.251	2.278	2.346	2.415	2.539	2.584
260		2.195	2.223	2.294	2.367	2.498	2.546	2.264	2.292	2.365	2.439	2.575	2.624
280		2.208	2.236	2.313	2.391	2.533	2.585	2.277	2.306	2.385	2.464	2.610	2.663
300		2.220	2.250	2.332	2.415	2.567	2.623	2.290	2.320	2.404	2.489	2.645	2.702

6



V11 / 25B: ANODIZED ALUMINIUM STEEL COLOR/OAKWOOD

V11 / 25T: ANODIZED ALUMINIUM STEEL COLOR/TEAK

V11 / 25W: ANODIZED ALUMINIUM STEEL COLOR/WENGÉ

L cm		220						240					
h cm	€	A	B	C	D	E	F	A	B	C	D	E	F
120		2.528	2.552	2.587	2.636	2.697	2.718	2.606	2.629	2.666	2.715	2.778	2.800
140		2.543	2.568	2.609	2.664	2.736	2.762	2.621	2.646	2.688	2.744	2.818	2.844
160		2.558	2.584	2.634	2.692	2.774	2.805	2.636	2.662	2.713	2.773	2.857	2.888
180		2.573	2.600	2.651	2.721	2.813	2.848	2.651	2.679	2.731	2.802	2.896	2.932
200		2.588	2.617	2.673	2.749	2.852	2.891	2.667	2.696	2.753	2.831	2.936	2.977
220		2.603	2.633	2.694	2.778	2.890	2.934	2.682	2.712	2.775	2.860	2.975	3.021
240		2.618	2.649	2.715	2.806	2.929	2.978	2.697	2.729	2.797	2.889	3.015	3.065
260		2.633	2.665	2.737	2.834	2.967	3.021	2.712	2.745	2.819	2.918	3.054	3.109
280		2.648	2.681	2.758	2.863	3.006	3.064	2.728	2.762	2.840	2.947	3.094	3.153
300		2.663	2.698	2.779	2.891	3.044	3.107	2.743	2.778	2.862	2.976	3.133	3.197

7



V11 / 312 25: IVORY WHITE /ANODIZED ALUMINIUM STEEL COLOR

V11DP - (wall) Motor ELERO for home automation and fabrics combination

L cm		120						140					
h cm	€	A	B	C	D	E	F	A	B	C	D	E	F
120		1.890	1.910	1.945	1.982	2.043	2.062	1.957	1.977	2.013	2.050	2.113	2.132
140		1.903	1.924	1.964	2.006	2.077	2.100	1.970	1.991	2.033	2.075	2.148	2.172
160		1.915	1.938	1.987	2.030	2.111	2.139	1.983	2.005	2.055	2.100	2.183	2.211
180		1.928	1.952	2.002	2.054	2.146	2.177	1.996	2.019	2.071	2.124	2.218	2.250
200		1.941	1.965	2.021	2.078	2.180	2.215	2.009	2.034	2.091	2.149	2.253	2.290
220		1.954	1.979	2.040	2.102	2.214	2.254	2.022	2.048	2.110	2.174	2.288	2.329
240		1.966	1.993	2.059	2.126	2.248	2.292	2.035	2.062	2.130	2.199	2.323	2.368
260		1.979	2.007	2.078	2.151	2.282	2.330	2.048	2.076	2.149	2.223	2.359	2.408
280		1.992	2.020	2.097	2.175	2.317	2.369	2.061	2.090	2.169	2.248	2.394	2.447
300		2.004	2.034	2.116	2.199	2.351	2.407	2.074	2.104	2.188	2.273	2.429	2.486

8



V11 / 312 25B: ACCIAIO/ROVERE - IVORY WHITE/ANODIZED ALUMINIUM STEEL COLOR/OAKWOOD

V11 / 312 25T: COLOR ACCIAIO/TEAK - IVORY WHITE/ANODIZED ALUMINIUM STEEL COLOR/TEAK

V11 / 312 25W: IVORY WHITE/ANODIZED ALUMINIUM STEEL COLOR/WENGÉ

L cm		220						240					
h cm	€	A	B	C	D	E	F	A	B	C	D	E	F
120		2.301	2.325	2.361	2.409	2.471	2.492	2.379	2.403	2.439	2.488	2.551	2.573
140		2.316	2.341	2.382	2.437	2.509	2.535	2.394	2.419	2.461	2.517	2.591	2.617
160		2.331	2.357	2.407	2.466	2.548	2.578	2.409	2.436	2.486	2.546	2.630	2.661
180		2.346	2.374	2.425	2.494	2.586	2.621	2.425	2.452	2.505	2.575	2.670	2.706
200		2.361	2.390	2.446	2.522	2.625	2.664	2.440	2.469	2.526	2.604	2.709	2.750
220		2.376	2.406	2.467	2.551	2.663	2.708	2.455	2.485	2.548	2.633	2.748	2.794
240		2.391	2.422	2.489	2.579	2.702	2.751	2.470	2.502	2.570	2.662	2.788	2.838
260		2.406	2.438	2.510	2.608	2.740	2.794	2.486	2.519	2.592	2.691	2.827	2.882
280		2.421	2.455	2.531	2.636	2.779	2.837	2.501	2.535	2.614	2.720	2.867	2.926
300		2.436	2.471	2.553	2.665	2.818	2.881	2.516	2.552	2.635	2.749	2.906	2.971

160						180						200						L cm € h cm
A	B	C	D	E	F	A	B	C	D	E	F	A	B	C	D	E	F	
2.252	2.273	2.308	2.349	2.410	2.430	2.350	2.373	2.409	2.452	2.514	2.534	2.439	2.462	2.498	2.544	2.606	2.626	120
2.266	2.288	2.328	2.375	2.446	2.470	2.363	2.388	2.429	2.478	2.551	2.575	2.453	2.478	2.519	2.571	2.643	2.668	140
2.280	2.303	2.351	2.401	2.482	2.510	2.377	2.403	2.453	2.505	2.588	2.617	2.468	2.493	2.543	2.599	2.681	2.711	160
2.293	2.317	2.367	2.427	2.518	2.551	2.391	2.418	2.470	2.532	2.625	2.658	2.482	2.509	2.561	2.626	2.719	2.753	180
2.307	2.332	2.387	2.453	2.554	2.591	2.405	2.433	2.490	2.558	2.661	2.699	2.497	2.525	2.582	2.654	2.756	2.795	200
2.321	2.347	2.407	2.479	2.589	2.631	2.419	2.448	2.511	2.585	2.698	2.740	2.511	2.541	2.602	2.681	2.794	2.837	220
2.334	2.362	2.427	2.505	2.625	2.672	2.433	2.464	2.531	2.611	2.735	2.782	2.526	2.556	2.623	2.709	2.832	2.880	240
2.348	2.377	2.447	2.531	2.661	2.712	2.447	2.479	2.552	2.638	2.772	2.823	2.540	2.572	2.644	2.736	2.870	2.922	260
2.361	2.392	2.467	2.557	2.697	2.752	2.461	2.494	2.572	2.664	2.809	2.864	2.554	2.588	2.665	2.764	2.907	2.964	280
2.375	2.406	2.487	2.583	2.733	2.793	2.475	2.509	2.592	2.691	2.846	2.905	2.569	2.603	2.686	2.791	2.945	3.006	300

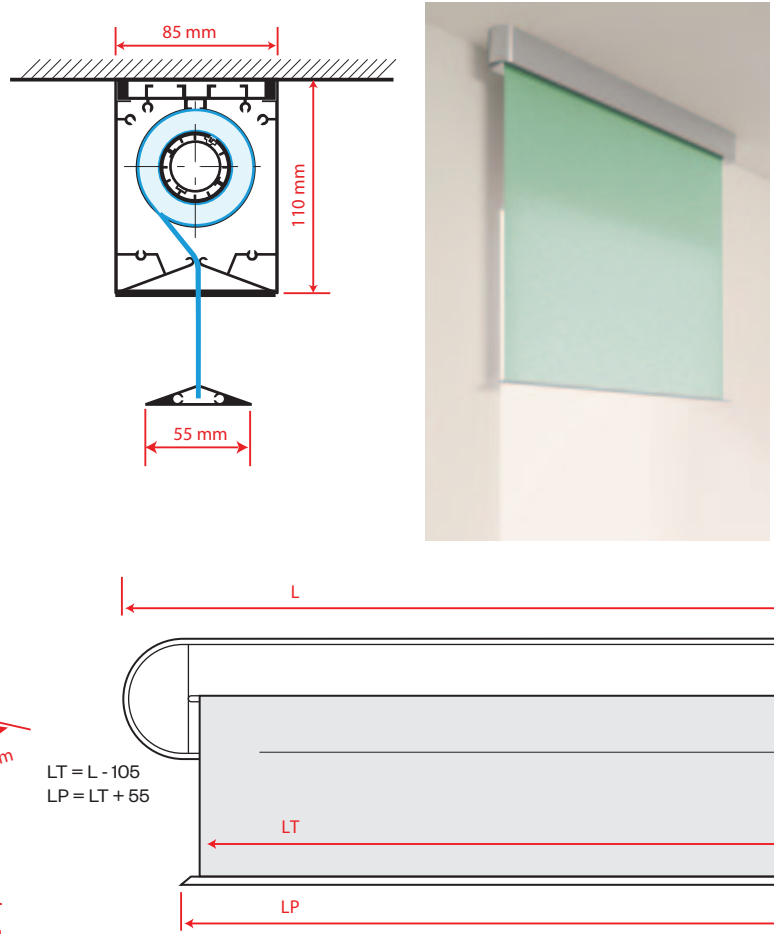
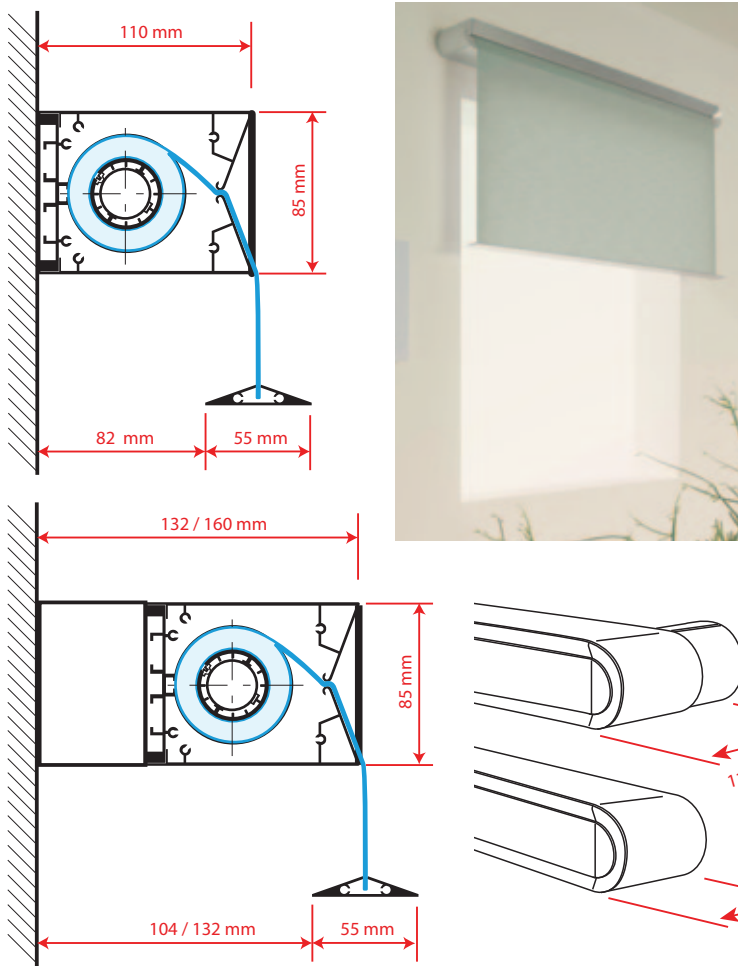
260						280						300						L cm € h cm
2.683	2.707	2.744	2.794	2.859	2.881	2.772	2.797	2.836	2.886	2.956	2.979	2.851	2.875	2.914	2.967	3.034	3.064	
2.699	2.724	2.767	2.824	2.899	2.926	2.788	2.814	2.860	2.917	2.998	3.026	2.867	2.893	2.937	2.999	3.076	3.112	140
2.714	2.741	2.793	2.853	2.939	2.972	2.805	2.831	2.887	2.947	3.040	3.074	2.884	2.911	2.964	3.030	3.119	3.161	160
2.730	2.758	2.811	2.883	2.980	3.017	2.821	2.849	2.906	2.978	3.082	3.121	2.901	2.929	2.984	3.062	3.161	3.209	180
2.745	2.775	2.834	2.913	3.020	3.062	2.837	2.866	2.930	3.008	3.124	3.168	2.917	2.947	3.008	3.093	3.204	3.258	200
2.761	2.792	2.856	2.942	3.060	3.107	2.853	2.884	2.953	3.039	3.166	3.215	2.934	2.965	3.031	3.124	3.246	3.306	220
2.777	2.809	2.878	2.972	3.101	3.152	2.869	2.901	2.976	3.069	3.208	3.262	2.950	2.983	3.055	3.156	3.289	3.355	240
2.792	2.825	2.900	3.002	3.141	3.197	2.885	2.919	2.999	3.100	3.250	3.309	2.967	3.001	3.078	3.187	3.331	3.404	260
2.808	2.842	2.923	3.031	3.181	3.242	2.901	2.936	3.023	3.130	3.292	3.356	2.983	3.019	3.102	3.219	3.374	3.452	280
2.823	2.859	2.945	3.061	3.222	3.288	2.917	2.954	3.046	3.161	3.334	3.403	3.000	3.037	3.125	3.250	3.416	3.501	300

160						180						200						L cm € h cm
A	B	C	D	E	F	A	B	C	D	E	F	A	B	C	D	E	F	
2.015	2.035	2.070	2.111	2.172	2.192	2.134	2.157	2.193	2.236	2.298	2.318	2.212	2.235	2.271	2.317	2.379	2.399	120
2.028	2.050	2.090	2.137	2.208	2.233	2.147	2.172	2.213	2.262	2.335	2.359	2.226	2.251	2.292	2.344	2.417	2.442	140
2.042	2.065	2.113	2.163	2.244	2.273	2.161	2.187	2.237	2.289	2.372	2.401	2.241	2.267	2.316	2.372	2.454	2.484	160
2.056	2.080	2.130	2.189	2.280	2.313	2.175	2.202	2.254	2.316	2.409	2.442	2.255	2.282	2.334	2.399	2.492	2.526	180
2.069	2.095	2.150	2.215	2.316	2.353	2.189	2.217	2.274	2.342	2.445	2.483	2.270	2.298	2.355	2.427	2.530	2.568	200
2.083	2.109	2.170	2.241	2.352	2.394	2.203	2.232	2.295	2.369	2.482	2.524	2.284	2.314	2.376	2.454	2.567	2.611	220
2.097	2.124	2.189	2.267	2.388	2.434	2.217	2.248	2.315	2.395	2.519	2.566	2.299	2.330	2.396	2.482	2.605	2.653	240
2.110	2.139	2.209	2.293	2.424	2.474	2.231	2.263	2.336	2.422	2.556	2.607	2.313	2.345	2.417	2.509	2.643	2.695	260
2.124	2.154	2.229	2.319	2.460	2.515	2.245	2.278	2.356	2.448	2.593	2.648	2.328	2.361	2.438	2.537	2.680	2.737	280
2.138	2.169	2.249	2.345	2.496	2.555	2.259	2.293	2.376	2.475	2.630	2.689	2.342	2.377	2.459	2.564	2.718	2.780	300

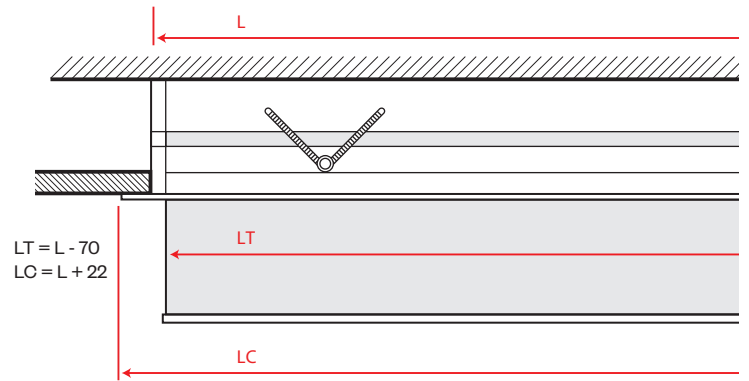
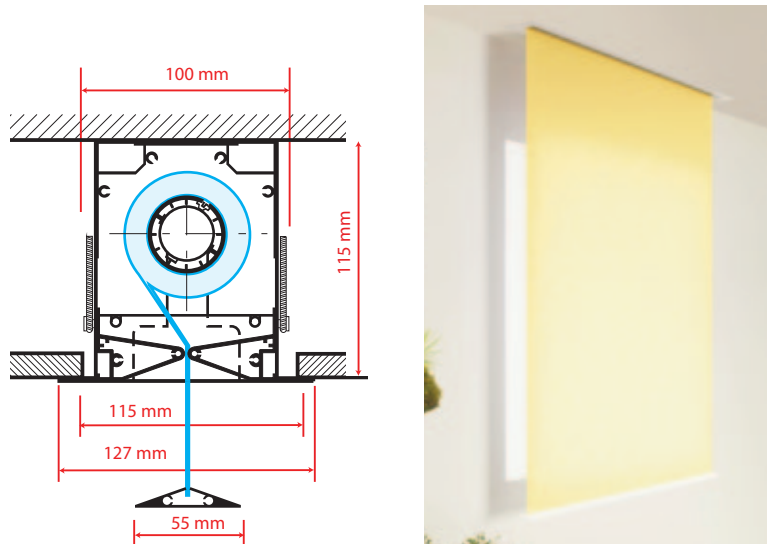
260						280						300						L cm € h cm
2.456	2.480	2.518	2.567	2.632	2.655	2.535	2.559	2.599	2.648	2.718	2.742	2.624	2.649	2.687	2.740	2.807	2.837	
2.472	2.497	2.540	2.597	2.672	2.700	2.551	2.576	2.622	2.679	2.760	2.789	2.641	2.666	2.710	2.772	2.850	2.885	140
2.487	2.514	2.566	2.627	2.713	2.745	2.567	2.594	2.649	2.710	2.802	2.836	2.657	2.684	2.738	2.803	2.892	2.934	160
2.503	2.531	2.584	2.656	2.753	2.790	2.583	2.611	2.669	2.740	2.844	2.883	2.674	2.702	2.757	2.835	2.934	2.983	180
2.519	2.548	2.607	2.686	2.793	2.835	2.599	2.629	2.692	2.771	2.886	2.930	2.690	2.720	2.781	2.866	2.977	3.031	200
2.534	2.565	2.629	2.716	2.834	2.880	2.615	2.646	2.715	2.801	2.928	2.977	2.707	2.738	2.804	2.898	3.019	3.080	220
2.550	2.582	2.651	2.745	2.874	2.925	2.631	2.664	2.738	2.832	2.970	3.024	2.723	2.756	2.828	2.929	3.062	3.128	240
2.565	2.599	2.674	2.775	2.914	2.971	2.647	2.681	2.762	2.862	3.012	3.071	2.740	2.774	2.851	2.961	3.104	3.177	260
2.581	2.616	2.696	2.804	2.954	3.016	2.663	2.699	2.785	2.893	3.054	3.118	2.756	2.792	2.875	2.992	3.147	3.225	280
2.597	2.633	2.718	2.834	2.995	3.061	2.679	2.716	2.808	2.923	3.096	3.166	2.773	2.810	2.898	3.024	3.189	3.274	300

WALL MOUNTING ROLLER BLIND IN ALUMINIUM

CEILING MOUNTING ROLLER BLIND IN ALUMINIUM



HIDDEN ROLLER BLIND IN ALUMINIUM



LT = Fabric width
 LP = Weight width
 LC = Frame width
 L = System width

SURCHARGE FOR DIFFERENT LATERAL PROJECTION (from the wall): € 78

SURCHARGE FOR LAQUARED FINISH (only for sytems V11)

l cm	120	140	160	180	200	220	240	260	280	300
€	72	84	96	108	120	132	144	156	168	180

SURCHARGE FOR WOOD COATING

l cm	120	140	160	180	200	220	240	260	280	300
€	57	67	76	86	96	105	115	124	134	144

HIDDEN ROLLER BLIND CONTINUOUS

V120TC - Motor ELERO with remote control and fabric combination

9



V120 / 25: ANODIZED ALUMINIUM STEEL COLOR
V120 / 312: IVORY WHITE
 x=16 mm

10



V120 / 25B: ANODIZED ALUMINIUM STEEL COLOR/OAKWOOD
V120 / 25T: ANODIZED ALUMINIUM STEEL COLOR/TEAK
V120 / 25W: ANODIZED ALUMINIUM STEEL COLOR/WENGÉ
 x=16 mm

11



V120 / 312 25: IVORY WHITE /ANODIZED ALUMINIUM STEEL COLOR
 x=16 mm

12



V120 / 312B: IVORY WHITE/OAKWOOD
V120 / 312T: IVORY WHITE/TEAK
V120 / 312W: IVORY WHITE/WENGÉ
 x=16 mm

L cm h cm €	320 (2 fabrics)						360 (2 fabrics)					
	A	B	C	D	E	F	A	B	C	D	E	F
120	2.330	2.371	2.441	2.523	2.645	2.685	2.546	2.592	2.665	2.751	2.875	2.915
140	2.357	2.401	2.481	2.575	2.717	2.766	2.574	2.623	2.705	2.804	2.949	2.998
160	2.385	2.431	2.527	2.627	2.789	2.846	2.602	2.653	2.753	2.857	3.023	3.080
180	2.412	2.460	2.560	2.679	2.861	2.927	2.630	2.683	2.787	2.910	3.096	3.163
200	2.439	2.490	2.600	2.731	2.932	3.008	2.658	2.714	2.828	2.963	3.170	3.245
220	2.467	2.520	2.640	2.783	3.004	3.088	2.686	2.744	2.869	3.016	3.244	3.328
240	2.494	2.549	2.680	2.835	3.076	3.169	2.714	2.774	2.909	3.070	3.317	3.410
260	2.521	2.579	2.719	2.887	3.148	3.249	2.742	2.805	2.950	3.123	3.391	3.493
280	2.548	2.609	2.759	2.939	3.220	3.330	2.770	2.835	2.991	3.176	3.465	3.575
300	2.576	2.638	2.799	2.991	3.292	3.411	2.798	2.865	3.032	3.229	3.538	3.658



L cm h cm €	440 (2 fabrics)						480 (2 fabrics)					
	A	B	C	D	E	F	A	B	C	D	E	F
120	2.638	2.685	2.756	2.853	2.976	3.019	2.776	2.823	2.896	2.994	3.121	3.164
140	2.668	2.717	2.799	2.910	3.053	3.105	2.806	2.856	2.940	3.052	3.199	3.252
160	2.698	2.750	2.849	2.966	3.130	3.191	2.837	2.889	2.991	3.110	3.278	3.341
180	2.727	2.782	2.884	3.023	3.208	3.278	2.867	2.922	3.027	3.168	3.357	3.429
200	2.757	2.815	2.927	3.080	3.285	3.364	2.898	2.956	3.071	3.226	3.436	3.518
220	2.787	2.847	2.970	3.137	3.362	3.451	2.928	2.989	3.114	3.284	3.515	3.606
240	2.817	2.880	3.012	3.194	3.439	3.537	2.959	3.022	3.158	3.342	3.594	3.694
260	2.847	2.912	3.055	3.251	3.516	3.623	2.989	3.055	3.202	3.400	3.673	3.783
280	2.877	2.944	3.098	3.307	3.593	3.710	3.020	3.088	3.245	3.458	3.751	3.871
300	2.907	2.977	3.141	3.364	3.670	3.796	3.050	3.121	3.289	3.516	3.830	3.959

Frame entire up to 5 m

400 (2 fabrics)						440 (2 fabrics)						480 (2 fabrics)						L cm
A	B	C	D	E	F	A	B	C	D	E	F	A	B	C	D	E	F	€ h cm
2.681	2.728	2.800	2.891	3.015	3.056	2.821	2.868	2.940	3.036	3.160	3.202	2.963	3.011	3.084	3.182	3.308	3.352	120
2.710	2.759	2.842	2.946	3.091	3.141	2.851	2.901	2.982	3.093	3.237	3.288	2.994	3.044	3.127	3.240	3.387	3.440	140
2.739	2.791	2.890	3.001	3.166	3.225	2.881	2.933	3.032	3.150	3.314	3.375	3.024	3.077	3.178	3.298	3.466	3.529	160
2.768	2.822	2.925	3.056	3.241	3.310	2.911	2.966	3.068	3.207	3.391	3.461	3.055	3.110	3.215	3.356	3.545	3.617	180
2.797	2.854	2.967	3.111	3.317	3.394	2.941	2.998	3.110	3.263	3.468	3.548	3.085	3.143	3.258	3.414	3.624	3.705	200
2.826	2.885	3.009	3.166	3.392	3.479	2.971	3.031	3.153	3.320	3.545	3.634	3.116	3.176	3.302	3.472	3.703	3.794	220
2.855	2.916	3.050	3.221	3.468	3.563	3.000	3.063	3.196	3.377	3.622	3.720	3.146	3.210	3.346	3.530	3.781	3.882	240
2.884	2.948	3.092	3.276	3.543	3.648	3.030	3.095	3.239	3.434	3.699	3.807	3.177	3.243	3.389	3.588	3.860	3.970	260
2.913	2.979	3.134	3.331	3.618	3.732	3.060	3.128	3.281	3.491	3.777	3.893	3.207	3.276	3.433	3.646	3.939	4.059	280
2.942	3.011	3.176	3.386	3.694	3.817	3.090	3.160	3.324	3.548	3.854	3.980	3.238	3.309	3.477	3.704	4.018	4.147	300

L cm	520 (2 fabrics)						560 (2 fabrics)						600 (2 fabrics)						L cm
h cm €	A	B	C	D	E	F	A	B	C	D	E	F	A	B	C	D	E	F	€ h cm
120	3.101	3.149	3.223	3.323	3.453	3.497	3.239	3.287	3.367	3.466	3.605	3.652	3.385	3.434	3.510	3.617	3.751	3.810	120
140	3.132	3.183	3.268	3.382	3.533	3.588	3.271	3.322	3.413	3.527	3.689	3.747	3.418	3.469	3.557	3.680	3.836	3.907	140
160	3.163	3.216	3.320	3.442	3.614	3.678	3.303	3.357	3.467	3.588	3.773	3.841	3.451	3.505	3.612	3.743	3.921	4.005	160
180	3.195	3.250	3.357	3.501	3.694	3.768	3.335	3.392	3.506	3.649	3.857	3.935	3.484	3.541	3.651	3.806	4.005	4.102	180
200	3.226	3.284	3.402	3.560	3.775	3.859	3.367	3.426	3.553	3.710	3.941	4.029	3.517	3.577	3.698	3.869	4.090	4.199	200
220	3.257	3.318	3.446	3.619	3.856	3.949	3.399	3.461	3.599	3.771	4.025	4.123	3.550	3.613	3.745	3.932	4.175	4.296	220
240	3.288	3.352	3.491	3.679	3.936	4.039	3.431	3.496	3.646	3.832	4.109	4.218	3.583	3.649	3.792	3.995	4.260	4.393	240
260	3.319	3.386	3.536	3.738	4.017	4.129	3.463	3.531	3.692	3.893	4.194	4.312	3.616	3.685	3.839	4.058	4.345	4.490	260
280	3.350	3.420	3.580	3.797	4.097	4.220	3.496	3.566	3.739	3.955	4.278	4.406	3.649	3.721	3.886	4.121	4.430	4.587	280
300	3.381	3.453	3.625	3.856	4.178	4.310	3.528	3.601	3.785	4.016	4.362	4.500	3.683	3.757	3.933	4.184	4.515	4.684	300

V120D C - Motor ELERO for home automation and fabrics combination

(prices referred to fin. 25)

L cm	320 (2 fabrics)						360 (2 fabrics)						400 (2 fabrics)						L cm
h cm €	A	B	C	D	E	F	A	B	C	D	E	F	A	B	C	D	E	F	€ h cm
120	2.142	2.184	2.253	2.336	2.457	2.498	2.358	2.404	2.477	2.563	2.688	2.727	2.494	2.540	2.612	2.704	2.828	2.869	120
140	2.170	2.213	2.293	2.388	2.529	2.578	2.386	2.435	2.518	2.616	2.761	2.810	2.523	2.572	2.654	2.759	2.903	2.953	140
160	2.197	2.243	2.339	2.440	2.601	2.659	2.414	2.465	2.565	2.669	2.835	2.892	2.552	2.603	2.703	2.814	2.978	3.038	160
180	2.224	2.272	2.372	2.492	2.673	2.739	2.442	2.496	2.599	2.722	2.909	2.975	2.580	2.635	2.738	2.869	3.054	3.122	180
200	2.251	2.302	2.412	2.544	2.745	2.820	2.470	2.526	2.640	2.776	2.982	3.058	2.609	2.666	2.779	2.924	3.129	3.207	200
220	2.279	2.332	2.452	2.595	2.817	2.900	2.498	2.556	2.681	2.829	3.056	3.140	2.638	2.697	2.821	2.979	3.205	3.291	220
240	2.306	2.361	2.492	2.647	2.889	2.981	2.526	2.587	2.722	2.882	3.130	3.223	2.667	2.729	2.863	3.034	3.280	3.375	240
260	2.333	2.391	2.532	2.699	2.961	3.062	2.554	2.617	2.762	2.935	3.203	3.305	2.696	2.760	2.904	3.089	3.355	3.460	260
280	2.361	2.421	2.572	2.751	3.032	3.142	2.582	2.647	2.803	2.988	3.277	3.388	2.725	2.792	2.946	3.143	3.431	3.544	280
300	2.388	2.450	2.611	2.803	3.104	3.223	2.610	2.678	2.844	3.041	3.350	3.470	2.754	2.823	2.988	3.198	3.506	3.629	300

520 (2 fabrics)						560 (2 fabrics)						600 (2 fabrics)						L cm
A	B	C	D	E	F	A	B	C	D	E	F	A	B	C	D	E	F	€ h cm
2.913	2.961	3.036	3.135	3.265	3.310	3.051	3.099	3.179	3.278	3.417	3.465	3.197	3.246	3.322	3.429	3.563	3.623	120
2.944	2.995	3.080	3.195	3.345	3.400	3.083	3.134	3.225	3.339	3.501	3.559	3.230	3.282	3.369	3.492	3.648	3.720	140
2.976	3.029	3.132	3.254	3.426	3.490	3.115	3.169	3.280	3.400	3.586	3.653	3.263	3.318	3.424	3.555	3.733	3.817	160
3.007	3.063	3.170	3.313	3.507	3.581	3.147	3.204	3.319	3.461	3.670	3.747	3.296	3.354	3.463	3.618	3.818	3.914	180
3.038	3.096	3.214	3.372	3.587	3.671	3.179	3.239	3.365	3.522	3.754	3.841	3.329	3.390	3.510	3.681	3.903	4.011	200
3.069	3.130	3.259	3.432	3.668	3.761	3.211	3.274	3.412	3.584	3.838	3.936	3.362	3.425	3.557	3.744	3.988	4.108	220
3.100	3.164	3.303	3.491	3.748	3.851	3.244	3.308	3.458	3.645	3.922	4.030	3.396	3.461	3.604	3.807	4.073	4.205	240
3.131	3.198	3.348	3.550	3.829	3.942	3.276	3.343	3.505	3.706	4.006	4.124	3.429	3.497	3.651	3.870	4.157	4.302	260
3.163	3.232	3.393	3.609	3.910	4.032	3.308	3.378	3.551	3.767	4.090	4.218	3.462	3.533	3.698	3.933	4.242	4.399	280
3.194	3.266	3.437	3.669	3.990	4.122	3.340	3.413	3.598	3.828	4.174	4.312	3.495	3.569	3.745	3.996	4.327	4.496	300

INDEPENDENT HIDDEN ROLLER BLINDS

V120 TS - Motor ELERO with remote control and fabrics combination

13



V120 / 25: ANODIZED ALUMINIUM STEEL COLOR

V120 / 312: IVORY WHITE
x= 64 mm

14



V120 / 25B: ANODIZED ALUMINIUM STEEL COLOR/OAKWOOD

V120 / 25T: ANODIZED ALUMINIUM STEEL COLOR/TEAK

V120 / 25W: ANODIZED ALUMINIUM STEEL COLOR/WENGÉ

x= 64 mm

15



V120 / 312 25: IVORY WHITE /ANODIZED ALUMINIUM STEEL COLOR

x= 64 mm

16



V120 / 312B: IVORY WHITE/OAKWOOD

V120 / 312T: IVORY WHITE/TEAK

V120 / 312W: IVORY WHITE/WENGÉ

x= 64 mm

L cm h cm €	320 (2 fabrics)						360 (2 fabrics)					
	A	B	C	D	E	F	A	B	C	D	E	F
120	3.053	3.094	3.164	3.246	3.368	3.408	3.269	3.315	3.388	3.474	3.598	3.638
140	3.080	3.124	3.204	3.298	3.440	3.489	3.297	3.346	3.428	3.527	3.672	3.721
160	3.108	3.154	3.250	3.350	3.512	3.569	3.325	3.376	3.476	3.580	3.746	3.803
180	3.135	3.183	3.283	3.402	3.584	3.650	3.353	3.406	3.510	3.633	3.819	3.886
200	3.162	3.213	3.323	3.454	3.655	3.731	3.381	3.437	3.551	3.686	3.893	3.968
220	3.190	3.243	3.363	3.506	3.727	3.811	3.409	3.467	3.592	3.739	3.967	4.051
240	3.217	3.272	3.403	3.558	3.799	3.892	3.437	3.497	3.632	3.793	4.040	4.133
260	3.244	3.302	3.442	3.610	3.871	3.972	3.465	3.528	3.673	3.846	4.114	4.216
280	3.271	3.332	3.482	3.662	3.943	4.053	3.493	3.558	3.714	3.899	4.188	4.298
300	3.299	3.361	3.522	3.714	4.015	4.134	3.521	3.588	3.755	3.952	4.261	4.381



L cm h cm €	440 (2 fabrics)						480 (2 fabrics)					
	A	B	C	D	E	F	A	B	C	D	E	F
120	3.134	3.181	3.252	3.349	3.472	3.515	3.272	3.319	3.392	3.490	3.617	3.660
140	3.164	3.213	3.295	3.406	3.549	3.601	3.302	3.352	3.436	3.548	3.695	3.748
160	3.194	3.246	3.345	3.462	3.626	3.687	3.333	3.385	3.487	3.606	3.774	3.837
180	3.223	3.278	3.380	3.519	3.704	3.774	3.363	3.418	3.523	3.664	3.853	3.925
200	3.253	3.311	3.423	3.576	3.781	3.860	3.394	3.452	3.567	3.722	3.932	4.014
220	3.283	3.343	3.466	3.633	3.858	3.947	3.424	3.485	3.610	3.780	4.011	4.102
240	3.313	3.376	3.508	3.690	3.935	4.033	3.455	3.518	3.654	3.838	4.090	4.190
260	3.343	3.408	3.551	3.747	4.012	4.119	3.485	3.551	3.698	3.896	4.169	4.279
280	3.373	3.440	3.594	3.803	4.089	4.206	3.516	3.584	3.741	3.954	4.247	4.367
300	3.403	3.473	3.637	3.860	4.166	4.292	3.546	3.617	3.785	4.012	4.326	4.455

Frame entire up to 5 m

400 (2 fabrics)						440 (2 fabrics)						480 (2 fabrics)						L cm
A	B	C	D	E	F	A	B	C	D	E	F	A	B	C	D	E	F	€ h cm
3.404	3.451	3.523	3.614	3.738	3.779	3.544	3.591	3.663	3.759	3.883	3.925	3.686	3.734	3.807	3.905	4.031	4.075	120
3.433	3.482	3.565	3.669	3.814	3.864	3.574	3.624	3.705	3.816	3.960	4.011	3.717	3.767	3.850	3.963	4.110	4.163	140
3.462	3.514	3.613	3.724	3.889	3.948	3.604	3.656	3.755	3.873	4.037	4.098	3.747	3.800	3.901	4.021	4.189	4.252	160
3.491	3.545	3.648	3.779	3.964	4.033	3.634	3.689	3.791	3.930	4.114	4.184	3.778	3.833	3.938	4.079	4.268	4.340	180
3.520	3.577	3.690	3.834	4.040	4.117	3.664	3.721	3.833	3.986	4.191	4.271	3.808	3.866	3.981	4.137	4.347	4.428	200
3.549	3.608	3.732	3.889	4.115	4.202	3.694	3.754	3.876	4.043	4.268	4.357	3.839	3.899	4.025	4.195	4.426	4.517	220
3.578	3.639	3.773	3.944	4.191	4.286	3.723	3.786	3.919	4.100	4.345	4.443	3.869	3.933	4.069	4.253	4.504	4.605	240
3.607	3.671	3.815	3.999	4.266	4.371	3.753	3.818	3.962	4.157	4.422	4.530	3.900	3.966	4.112	4.311	4.583	4.693	260
3.636	3.702	3.857	4.054	4.341	4.455	3.783	3.851	4.004	4.214	4.500	4.616	3.930	3.999	4.156	4.369	4.662	4.782	280
3.665	3.734	3.899	4.109	4.417	4.540	3.813	3.883	4.047	4.271	4.577	4.703	3.961	4.032	4.200	4.427	4.741	4.870	300

L cm	520 (2 fabrics)						560 (2 fabrics)						600 (2 fabrics)						L cm
h cm €	A	B	C	D	E	F	A	B	C	D	E	F	A	B	C	D	E	F	€ h cm
120	3.824	3.872	3.946	4.046	4.176	4.220	3.962	4.010	4.090	4.189	4.328	4.375	4.108	4.157	4.233	4.340	4.474	4.533	120
140	3.855	3.906	3.991	4.105	4.256	4.311	3.994	4.045	4.136	4.250	4.412	4.470	4.141	4.192	4.280	4.403	4.559	4.630	140
160	3.886	3.939	4.043	4.165	4.337	4.401	4.026	4.080	4.190	4.311	4.496	4.564	4.174	4.228	4.335	4.466	4.644	4.728	160
180	3.918	3.973	4.080	4.224	4.417	4.491	4.058	4.115	4.229	4.372	4.580	4.658	4.207	4.264	4.374	4.529	4.728	4.825	180
200	3.949	4.007	4.125	4.283	4.498	4.582	4.090	4.149	4.276	4.433	4.664	4.752	4.240	4.300	4.421	4.592	4.813	4.922	200
220	3.980	4.041	4.169	4.342	4.579	4.672	4.122	4.184	4.322	4.494	4.748	4.846	4.273	4.336	4.468	4.655	4.898	5.019	220
240	4.011	4.075	4.214	4.402	4.659	4.762	4.154	4.219	4.369	4.555	4.832	4.941	4.306	4.372	4.515	4.718	4.983	5.116	240
260	4.042	4.109	4.259	4.461	4.740	4.852	4.186	4.254	4.415	4.616	4.917	5.035	4.339	4.408	4.562	4.781	5.068	5.213	260
280	4.073	4.143	4.303	4.520	4.820	4.943	4.219	4.289	4.462	4.678	5.001	5.129	4.372	4.444	4.609	4.844	5.153	5.310	280
300	4.104	4.176	4.348	4.579	4.901	5.033	4.251	4.324	4.508	4.739	5.085	5.223	4.406	4.480	4.656	4.907	5.238	5.407	300

V120DS - Motor ELERO for home automation and fabrics combination

(prices referred to fin. 25)

L cm	320 (2 fabrics)						360 (2 fabrics)						400 (2 fabrics)						L cm
h cm €	A	B	C	D	E	F	A	B	C	D	E	F	A	B	C	D	E	F	€ h cm
120	2.638	2.680	2.749	2.832	2.953	2.994	2.854	2.900	2.973	3.059	3.184	3.223	2.990	3.036	3.108	3.200	3.324	3.365	120
140	2.666	2.709	2.789	2.884	3.025	3.074	2.882	2.931	3.014	3.112	3.257	3.306	3.019	3.068	3.150	3.255	3.399	3.449	140
160	2.693	2.739	2.835	2.936	3.097	3.155	2.910	2.961	3.061	3.165	3.331	3.388	3.048	3.099	3.199	3.310	3.474	3.534	160
180	2.720	2.768	2.868	2.988	3.169	3.235	2.938	2.992	3.095	3.218	3.405	3.471	3.076	3.131	3.234	3.365	3.550	3.618	180
200	2.747	2.798	2.908	3.040	3.241	3.316	2.966	3.022	3.136	3.272	3.478	3.554	3.105	3.162	3.275	3.420	3.625	3.703	200
220	2.775	2.828	2.948	3.091	3.313	3.396	2.994	3.052	3.177	3.325	3.552	3.636	3.134	3.193	3.317	3.475	3.701	3.787	220
240	2.802	2.857	2.988	3.143	3.385	3.477	3.022	3.083	3.218	3.378	3.626	3.719	3.163	3.225	3.359	3.530	3.776	3.871	240
260	2.829	2.887	3.028	3.195	3.457	3.558	3.050	3.113	3.258	3.431	3.699	3.801	3.192	3.256	3.400	3.585	3.851	3.956	260
280	2.857	2.917	3.068	3.247	3.528	3.638	3.078	3.143	3.299	3.484	3.773	3.884	3.221	3.288	3.442	3.639	3.927	4.040	280
300	2.884	2.946	3.107	3.299	3.600	3.719	3.106	3.174	3.340	3.537	3.846	3.966	3.250	3.319	3.484	3.694	4.002	4.125	300

520 (2 fabrics)						560 (2 fabrics)						600 (2 fabrics)						L cm
A	B	C	D	E	F	A	B	C	D	E	F	A	B	C	D	E	F	€ h cm
3.409	3.457	3.532	3.631	3.761	3.806	3.547	3.595	3.675	3.774	3.913	3.961	3.693	3.742	3.818	3.925	4.059	4.119	120
3.440	3.491	3.576	3.691	3.841	3.896	3.579	3.630	3.721	3.835	3.997	4.055	3.726	3.778	3.865	3.988	4.144	4.216	140
3.472	3.525	3.628	3.750	3.922	3.986	3.611	3.665	3.776	3.896	4.082	4.149	3.759	3.814	3.920	4.051	4.229	4.313	160
3.503	3.559	3.666	3.809	4.003	4.077	3.643	3.700	3.815	3.957	4.166	4.243	3.792	3.850	3.959	4.114	4.314	4.410	180
3.534	3.592	3.710	3.868	4.083	4.167	3.675	3.735	3.861	4.018	4.250	4.337	3.825	3.886	4.006	4.177	4.399	4.507	200
3.565	3.626	3.755	3.928	4.164	4.257	3.707	3.770	3.908	4.080	4.334	4.432	3.858	3.921	4.053	4.240	4.484	4.604	220
3.596	3.660	3.799	3.987	4.244	4.347	3.740	3.804	3.954	4.141	4.418	4.526	3.892	3.957	4.100	4.303	4.569	4.701	240
3.627	3.694	3.844	4.046	4.325	4.438	3.772	3.839	4.001	4.202	4.502	4.620	3.925	3.993	4.147	4.366	4.653	4.798	260
3.659	3.728	3.889	4.105	4.406	4.528	3.804	3.874	4.047	4.263	4.586	4.714	3.958	4.029	4.194	4.429	4.738	4.895	280
3.690	3.762	3.933	4.165	4.486	4.618	3.836	3.909	4.094	4.324	4.670	4.808	3.991	4.065	4.241	4.492	4.823	4.992	300