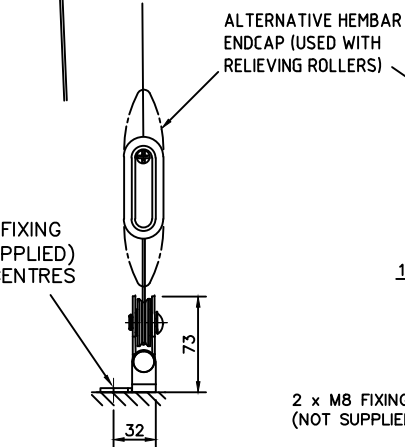
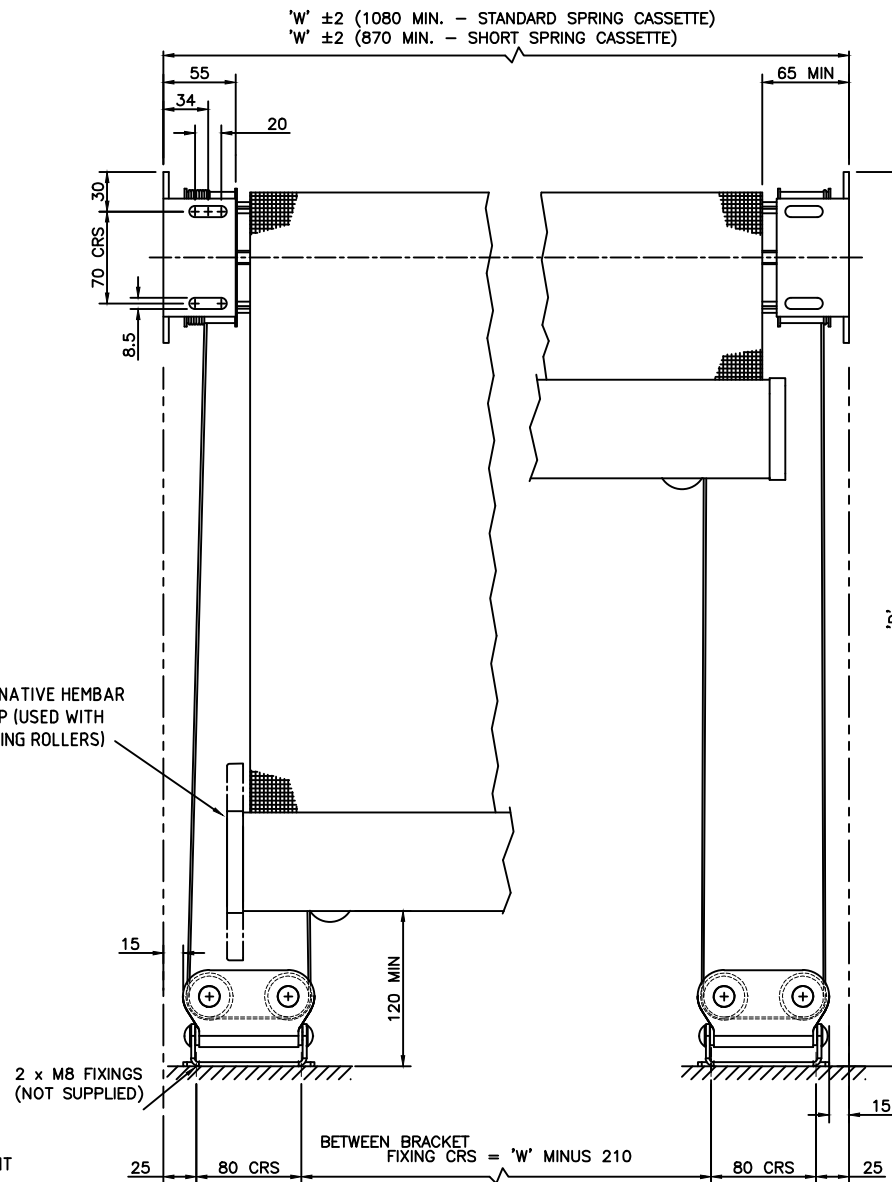


ALTERNATIVE TOP FIX MOUNTING ARRANGEMENTS FOR RETURN PULLEY BRACKET

2 x M8 FIXING (NOT SUPPLIED) AT 80 CENTRES



FACE FIX MOUNTING ARRANGEMENT FOR RETURN PULLEY BRACKET



NOTE  
WHEN 'D' EXCEEDS 3 METRES  
RELIEVING ROLLER TO BE  
INSTALLED AS SHOWN ON  
GDP11078

FOR DETAILS OF RELIEVING  
ROLLER SEE GDP11041

Produzent

Typ

**SOLARMATIC**<sup>®</sup>  
SONNENSCHUTZ GmbH

Barnimstraße 19 • D-15345 Eggersdorf b. Berlin  
Tel.: +49 (0)3341 / 4 48 68-300 • Fax: +49 (0)3341 / 4 48 68-301  
E-Mail: info@solarmatic.de • www.solarmatic.de

3.6 Vario